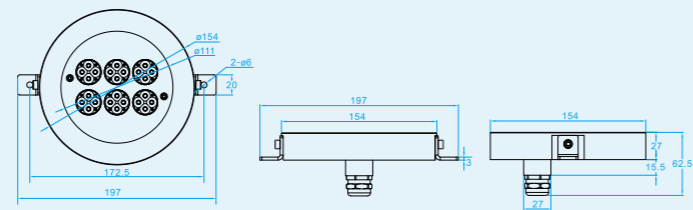


Version B



Product Size



Specification

Model No.:	RS-UW24W316X-BW(88458)
Front cover & Housing:	Stainless steel 316L
Dimensions:	L197*H27mm
Tempered Glass:	8mm thickness
LED chip:	Cree
LED Q'ty:	18pcs 3W LED / 24pcs 3W LED
Cable gland:	Stainless steel 316L PG13.5
Driver:	Constant current driver
Lens:	Clear, Bead
Beam Angle Options:	10° 30° 60°
Power Cable:	3/18AWG or 5/18AWG SOOW rubber cable
Protection Class:	IP68
Environment:	Dry / Submerged
Mounting Hardware:	Surface Mounted System
Net Weight:	1.9kgs with 1.5m cable
Lifetime:	>50000H

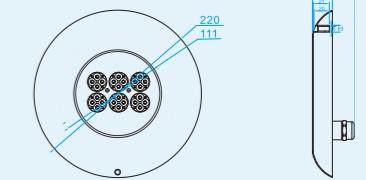
Order information

Item code	Color	Light source(w)	Line Way	Input Voltage (v)	Operating current (mA)	Consumption (w)	Luminous flux (lm)
88458.183.01	2700-3000K	18*3	V+/V-	DC24	1000	24	1800
88458.183.02	4000-4500K	18*3	V+/V-	DC24	1000	24	1980
88458.183.03	5000-5500K	18*3	V+/V-	DC24	1000	24	2160
88458.183.04	6000-6500K	18*3	V+/V-	DC24	1000	24	2160
88458.183.05	Red	18*3	V+/V-	DC24	667	16	420
88458.183.06	Green	18*3	V+/V-	DC24	1000	24	1440
88458.183.07	Blue	18*3	V+/V-	DC24	1000	24	540
88458.183.08	Yellow	18*3	V+/V-	DC24	1000	24	1440
88458.183.09	RGB-DMX512 (3 channel)	18*3	V+ /V-/D+/D-/GND	DC24	R: 292 B: 417 G: 417	R: 7 B: 10 G: 10	R: 245 B: 300 G: 800
88458.243.12	RGBW-DMX512 (4 channel)	24*3	V+ /V-/D+/D-/GND	DC24	R: 292 B: 417 G: 417 W: 417	R: 7 B: 10 G: 10 W: 10	R: 245 B: 300 G: 800 W: 900

Version C



Product Size



Specification

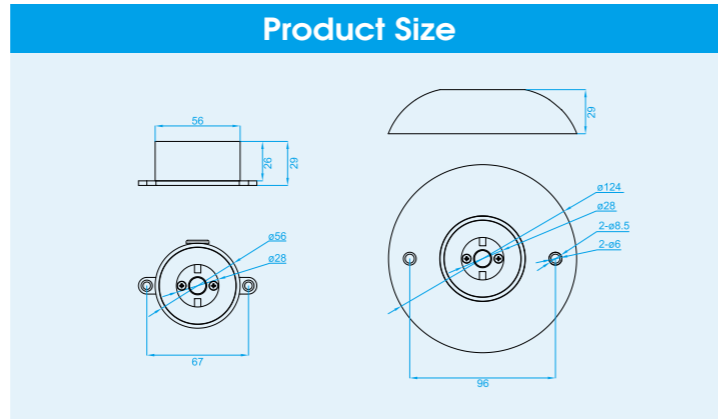
Model No.:	RS-UW24W316X-CW(88459)
Front cover & Housing:	Stainless steel 316L
Dimensions:	D220*H29mm
Tempered Glass:	8mm thickness
LED chip:	Cree
LED Q'ty:	18pcs 3W LED / 24pcs 3W LED
Cable gland:	Stainless steel 316L PG13.5
Driver:	Constant current driver
Lens:	Clear, Bead
Beam Angle Options:	10° 30° 60°
Power Cable:	3/18AWG or 5/18AWG SOOW rubber cable
Protection Class:	IP68
Environment:	Dry / Submerged
Mounting Hardware:	Surface Mounted System
Net Weight:	2.5kgs with 1.5m cable
Lifetime:	>50000H

Order information

Item code	Color	Light source(w)	Line Way	Input Voltage (v)	Operating current (mA)	Consumption (w)	Luminous flux (lm)
88459.183.01	2700-3000K	18*3	V+/V-	DC24	1000	24	1800
88459.183.02	4000-4500K	18*3	V+/V-	DC24	1000	24	1980
88459.183.03	5000-5500K	18*3	V+/V-	DC24	1000	24	2160
88459.183.04	6000-6500K	18*3	V+/V-	DC24	1000	24	2160
88459.183.05	Red	18*3	V+/V-	DC24	667	16	420
88459.183.06	Green	18*3	V+/V-	DC24	1000	24	1440
88459.183.07	Blue	18*3	V+/V-	DC24	1000	24	540
88459.183.08	Yellow	18*3	V+/V-	DC24	1000	24	1440
88459.183.09	RGB-DMX512 (3 channel)	18*3	V+ /V-/D+/D-/GND	DC24	R: 292 B: 417 G: 417	R: 7 B: 10 G: 10	R: 245 B: 300 G: 800
88459.243.12	RGBW-DMX512 (4 channel)	24*3	V+ /V-/D+/D-/GND	DC24	R: 292 B: 417 G: 417 W: 417	R: 7 B: 10 G: 10 W: 10	R: 245 B: 300 G: 800 W: 900



(Optional: ABS cover)

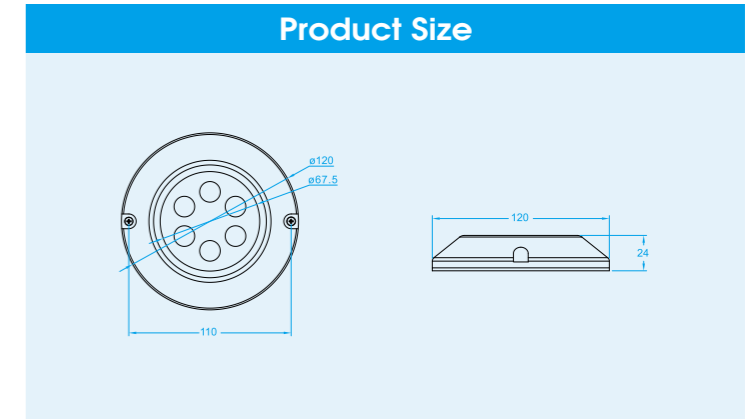


Specification

Model No.:	RS-UW9W316X-B(88186)
Front cover & Housing:	Stainless steel 316L
Dimensions:	D56*H29mm(Optional: ABS cover D124*H29mm)
Tempered Glass:	8mm thickness
LED chip:	Cree
LED Q'ty:	1pc 9W COB
Cable gland:	/
Driver:	Constant current driver
Lens:	/
Beam Angle Options:	120°
Power Cable:	2*1.0mm ² VDE rubber cable
Protection Class:	IP68
Environment:	Dry / Submerged
Mounting Hardware:	Surface Mounted System
Net Weight:	0.55kgs with 1.5m cable
Lifetime:	>50000H

Order information

Item code	Color	Light source(w)	Line Way	Input Voltage (v)	Operating current (mA)	Consumption (w)	Luminous flux (lm)
88186.019.01	2700-3000K	1*9	V+/V-	AC/DC12-24	750 / 375	9	990
88186.019.02	4000-4500K	1*9	V+/V-	AC/DC12-24	750 / 375	9	1035
88186.019.03	5000-5500K	1*9	V+/V-	AC/DC12-24	750 / 375	9	1080
88186.019.04	6000-6500K	1*9	V+/V-	AC/DC12-24	750 / 375	9	1125



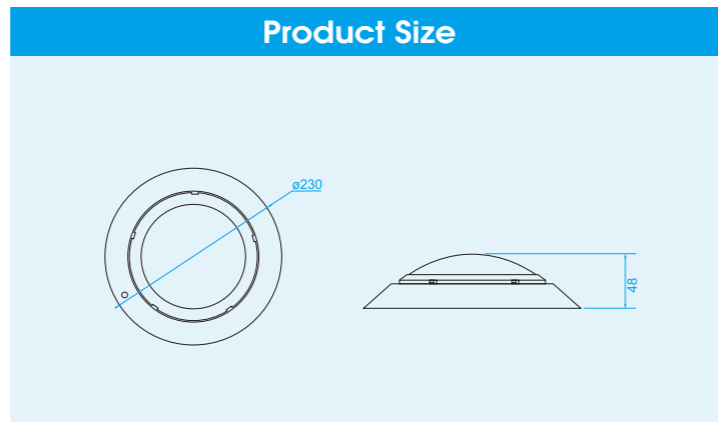
Specification

Model No.:	RS-BL18W316X(88148)
Front cover & Housing:	Stainless steel 316L
Dimensions:	D120*H24mm
Tempered Glass:	5mm thickness
LED chip:	Cree
LED Q'ty:	6pcs 3W LED
Cable gland:	/
Driver:	No CC driver inside
Lens:	Clear, Bead, Frosted
Beam Angle Options:	10° 30°
Power Cable:	2*1.0mm ² VDE rubber cable
Protection Class:	IP68
Environment:	Pool, Boat
Mounting Hardware:	Pool wall mounting
Net Weight:	1.35kgs with 1m cable
Lifetime:	>50000H

Order information

Item code	Color	Light source(w)	Line Way	Input Voltage (v)	Operating current (mA)	Consumption (w)	Luminous flux (lm)
88148.063.01	2700-3000K	6*3	V+/V-	DC24	750	18	840
88148.063.02	4000-4500K	6*3	V+/V-	DC24	750	18	888
88148.063.03	5000-5500K	6*3	V+/V-	DC24	750	18	930
88148.063.04	6000-6500K	6*3	V+/V-	DC24	750	18	930
88148.063.05	Red	6*3	V+/V-	DC24	750	18	210
88148.063.06	Green	6*3	V+/V-	DC24	750	18	540
88148.063.07	Blue	6*3	V+/V-	DC24	750	18	240
88148.063.08	Yellow	6*3	V+/V-	DC24	750	18	570



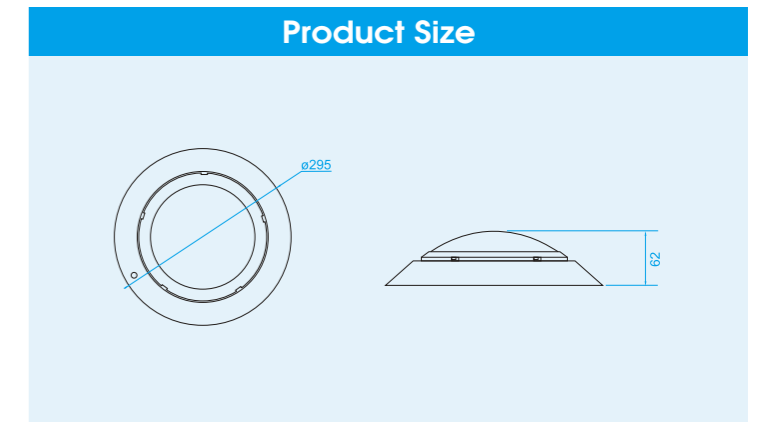


Specification

Model No.:	RS-PAR56-M-12X(88159)
Front cover & Housing:	Stainless steel 304+PC cover
Dimensions:	D230*H48mm
Tempered Glass:	PC cover
LED chip:	SMD 2835 Epistar
LED Q'ty:	108pcs *0.2W
Cable gland:	/
Driver:	Constant current driver
Lens:	120° bead PC cover
Beam Angle Options:	120°
Power Cable:	2*1.0mm ² PVC cable / 4*0.75mm ² / 2*1.0+3*0.5mm ² VDE rubber cable
Protection Class:	IP68
Environment:	Pool
Mounting Hardware:	Pool wall mounting
Net Weight:	1.3kgs with 1.5m cable
Lifetime:	>50000H

Order information

Item code	Color	Light source(w)	Line Way	Input Voltage (v)	Operating current (mA)	Consumption (w)	Luminous flux (lm)
88159.108.01	2700-3000K	108*0.2	V+/V-	DC12-24	1000 / 500	12	1080
88159.108.02	4000-4500K	108*0.2	V+/V-	DC12-24	1000 / 500	12	1140
88159.108.03	5000-5500K	108*0.2	V+/V-	DC12-24	1000 / 500	12	1200
88159.108.04	6000-6500K	108*0.2	V+/V-	DC12-24	1000 / 500	12	1200
88159.108.05	Red	108*0.2	V+/V-	DC12-24	1000 / 500	12	300
88159.108.06	Green	108*0.2	V+/V-	DC12-24	1000 / 500	12	720
88159.108.07	Blue	108*0.2	V+/V-	DC12-24	1000 / 500	12	360
88159.108.08	Yellow	108*0.2	V+/V-	DC12-24	1000 / 500	12	840
88159.108.09	RGB-DMX512 (3 channel)	108*0.2	V+/V-/D+/D-/GND	DC12-24	RR: 333 / 166 B: 5333 / 166 G: 333 / 166	R: 4 B: 4 G: 4	R: 100 B: 120 G: 240
88159.108.10	Auto changing color	108*0.2	V+/V-	AC24	R: 166 B: 166 G: 166	R: 4 B: 4 G: 4	R: 100 B: 120 G: 240
88159.108.12	RGBV+ (build-in CC driver)	108*0.2	R/G/B/V+	DC12-24	R: 333 / 166 B: 5333 / 166 G: 333 / 166	R: 4 B: 4 G: 4	R: 100 B: 120 G: 240



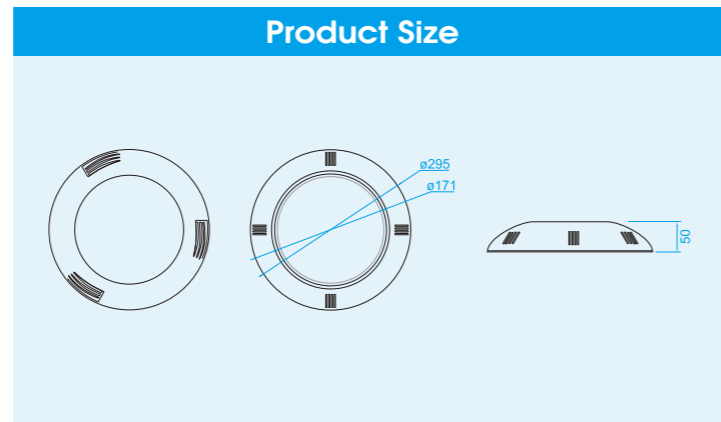
Specification

Model No.:	RS-PAR56-54X(88126)
Front cover & Housing:	Stainless steel 304+PC cover
Dimensions:	D295*H62mm
Tempered Glass:	PC cover
LED chip:	Cree
LED Q'ty:	18pcs 3W LED
Cable gland:	/
Driver:	Constant current driver
Lens:	Clear, Bead, Frosted
Beam Angle Options:	10° 30° 45° 60° 90°
Power Cable:	2*1.0mm ² PVC cable / 4*0.75mm ² / 2*1.0+3*0.5mm ² VDE rubber cable
Protection Class:	IP68
Environment:	Pool
Mounting Hardware:	Pool wall mounting
Net Weight:	2.0kgs with 1.5m cable
Lifetime:	>50000H

Order information

Item code	Color	Light source(w)	Line Way	Input Voltage (v)	Operating current (mA)	Consumption (w)	Luminous flux (lm)
88126.183.01	2700-3000K	18*3	V+/V-	DC12-24	4500 / 2250	54	2520
88126.183.02	4000-4500K	18*3	V+/V-	DC12-24	4500 / 2250	54	2664
88126.183.03	5000-5500K	18*3	V+/V-	DC12-24	4500 / 2250	54	2790
88126.183.04	6000-6500K	18*3	V+/V-	DC12-24	4500 / 2250	54	2790
88126.183.05	Red	18*3	V+/V-	DC12-24	3000 / 1500	36	630
88126.183.06	Green	18*3	V+/V-	DC12-24	4500 / 2250	54	1620
88126.183.07	Blue	18*3	V+/V-	DC12-24	4500 / 2250	54	720
88126.183.08	Yellow	18*3	V+/V-	DC12-24	4500 / 2250	54	1710
88126.183.09	RGB-DMX512 (3 channel)	18*3	V+/V-/D+/D-/GND	DC12-24	R: 1000 / 500 B: 1500 / 750 G: 1500 / 750	R: 12 B: 18 G: 18	R: 210 B: 240 G: 540
88126.183.10	Auto changing color	18*3	V+/V-	AC12-24	R: 1000 / 500 B: 1500 / 750 G: 1500 / 750	R: 12 B: 18 G: 18	R: 210 B: 240 G: 540
88126.183.11	RF remote control	18*3	V+/V-	DC12-24	R: 1000 / 500 B: 1500 / 750 G: 1500 / 750	R: 12 B: 18 G: 18	R: 210 B: 240 G: 540
88126.183.12	RGBV+ (build-in CC driver)	18*3	R/G/B/V+	DC12-24	R: 1000 / 500 B: 1500 / 750 G: 1500 / 750	R: 12 B: 18 G: 18	R: 210 B: 240 G: 540



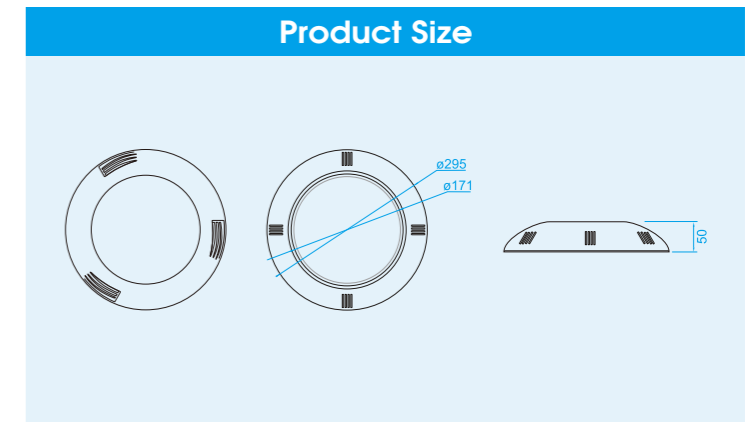


Specification

Model No.:	RS-PAR56-24X-L(88127)
Front cover & Housing:	ABS+PC
Dimensions:	D295*H50mm
Tempered Glass:	PC cover
LED chip:	SMD 2835 Epistar
LED Q'ty:	216pcs
Cable gland:	/
Driver:	Constant current driver
Lens:	120° bead PC cover
Beam Angle Options:	120°
Power Cable:	2*1.0mm ² PVC cable / 4*0.75mm ² / 2*1.0+3*0.5mm ² VDE rubber cable
Protection Class:	IP68
Environment:	Pool
Mounting Hardware:	Pool wall mounting
Net Weight:	1.5kgs with 1.5m cable
Lifetime:	>50000H

Order information

Item code	Color	Light source(w)	Line Way	Input Voltage (v)	Operating current (mA)	Consumption (w)	Luminous flux (lm)
88127.216.01	2700-3000K	216pcs	V+/V-	DC12-24	2000 / 1000	24	2160
88127.216.02	4000-4500K	216pcs	V+/V-	DC12-24	2000 / 1000	24	2280
88127.216.04	6000-6500K	216pcs	V+/V-	DC12-24	2000 / 1000	24	2400
88127.216.09	RGB-DMX512 (3 channel)	216pcs	V+/V-/D+/D-/GND	DC12-24	R: 666 / 333 B: 666 / 333 G: 666 / 333	R: 8 B: 8 G: 8	R: 200 B: 240 G: 480
88127.216.10	Auto changing color	216pcs	V+/V-	AC12	R: 666 B: 666 G: 666	R: 8 B: 8 G: 8	R: 200 B: 240 G: 480
88127.216.11	RF remote control	216pcs	V+/V-	DC12-24	R: 666 / 333 B: 666 / 333 G: 666 / 333	R: 8 B: 8 G: 8	R: 200 B: 240 G: 480
88127.216.12	RGBV+ (build-in CC driver)	216pcs	R/G/B/V+	DC12-24	R: 666 / 333 B: 666 / 333 G: 666 / 333	R: 8 B: 8 G: 8	R: 200 B: 240 G: 480

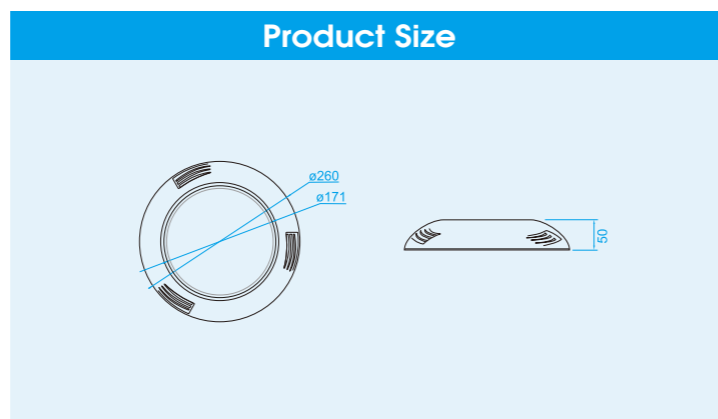


Specification

Model No.:	RS-PAR56-36X-H(88127)
Front cover & Housing:	ABS+PC
Dimensions:	D295*H50mm
Tempered Glass:	PC cover
LED chip:	Cree
LED Q'ty:	12pcs 3W LED
Cable gland:	/
Driver:	Constant current driver
Lens:	Clear, Bead, Frosted
Beam Angle Options:	10° 30° 45° 60° 90°
Power Cable:	2*1.0mm ² PVC cable / 4*0.75mm ² / 2*1.0+3*0.5mm ² VDE rubber cable
Protection Class:	IP68
Environment:	Pool
Mounting Hardware:	Pool wall mounting
Net Weight:	1.5kgs with 1.5m cable
Lifetime:	>50000H

Order information

Item code	Color	Light source(w)	Line Way	Input Voltage (v)	Operating current (mA)	Consumption (w)	Luminous flux (lm)
88127.123.01	2700-3000K	12*3	V+/V-	DC12	3000	36	1680
88127.123.02	4000-4500K	12*3	V+/V-	DC12	3000	36	1776
88127.123.03	5000-5500K	12*3	V+/V-	DC12	3000	36	1860
88127.123.04	6000-6500K	12*3	V+/V-	DC12	3000	36	1860
88127.123.05	Red	12*3	V+/V-	DC12	2000	24	420
88127.123.06	Green	12*3	V+/V-	DC12	3000	36	1080
88127.123.07	Blue	12*3	V+/V-	DC12	3000	36	480
88127.123.08	Yellow	12*3	V+/V-	DC12	3000	36	1140
88127.123.09	RGB-DMX512 (3 channel)	12*3	V+/V-/D+/D-/GND	DC12	R: 666 B: 1000 G: 1000	R: 8 B: 12 G: 12	R: 140 B: 160 G: 360
88127.123.10	Auto changing color	12*3	V+/V-	AC12	R: 666 B: 1000 G: 1000	R: 8 B: 12 G: 12	R: 140 B: 160 G: 360
88127.123.11	RF remote control	12*3	V+/V-	DC12	R: 666 B: 1000 G: 1000	R: 8 B: 12 G: 12	R: 140 B: 160 G: 360
88127.123.12	RGBV+ (build-in CC driver)	12*3	R/G/B/V+	DC12	R: 666 B: 1000 G: 1000	R: 8 B: 12 G: 12	R: 140 B: 160 G: 360

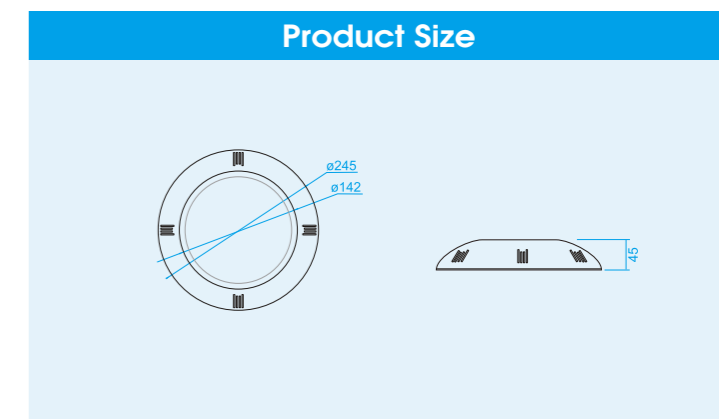


Specification

Model No.:	RS-PAR56-18X-M(88167)
Front cover & Housing:	ABS+PC
Dimensions:	D260*H50mm
Tempered Glass:	PC cover
LED chip:	SMD 2835 Epistar
LED Q'ty:	216pcs
Cable gland:	/
Driver:	Constant current driver
Lens:	120° bead PC cover
Beam Angle Options:	120°
Power Cable:	2*1.0mm ² PVC cable / 4*0.75mm ² / 2*1.0+3*0.5mm ² VDE rubber cable
Protection Class:	IP68
Environment:	Pool
Mounting Hardware:	Pool wall mounting
Net Weight:	1.5kgs with 1.5m cable
Lifetime:	>50000H

Order information

Item code	Color	Light source(w)	Line Way	Input Voltage (v)	Operating current (mA)	Consumption (w)	Luminous flux (lm)
88167.216.01	2700-3000K	216pcs	V+/V-	DC12-24	1500 / 750	18	1620
88167.216.02	4000-4500K	216pcs	V+/V-	DC12-24	1500 / 750	18	1710
88167.216.04	6000-6500K	216pcs	V+/V-	DC12-24	1500 / 750	18	1800
88167.216.09	RGB-DMX512 (3 channel)	216pcs	V+/V-/D+/D-/GND	DC12-24	R: 500 / 250 B: 500 / 250 G: 500 / 250	R: 6 B: 6 G: 6	R: 150 B: 180 G: 360
88167.216.10	Auto changing color	216pcs	V+/V-	AC24	R: 500 / 250 B: 500 / 250 G: 500 / 250	R: 6 B: 6 G: 6	R: 150 B: 180 G: 360
88167.216.11	RF remote control	216pcs	V+/V-	DC12-24	R: 250 B: 250 G: 250	R: 6 B: 6 G: 6	R: 150 B: 180 G: 360
88167.216.12	RGBV+ (build-in CC driver)	216pcs	R/G/B/V+	DC12-24	R: 500 / 250 B: 500 / 250 G: 500 / 250	R: 6 B: 6 G: 6	R: 150 B: 180 G: 360



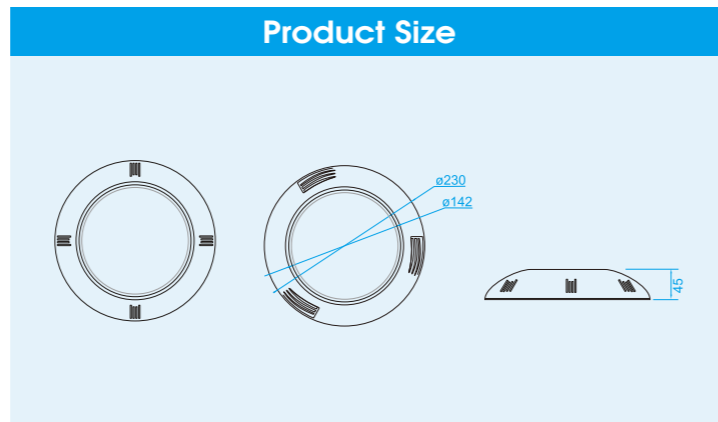
Specification

Model No.:	RS-PAR56-15X-M(88168)
Front cover & Housing:	ABS+PC
Dimensions:	D245*H45mm
Tempered Glass:	PC cover
LED chip:	SMD 2835 Epistar
LED Q'ty:	108pcs
Cable gland:	/
Driver:	Constant current driver
Lens:	120° bead PC cover
Beam Angle Options:	120°
Power Cable:	2*1.0mm ² PVC cable / 4*0.75mm ² / 2*1.0+3*0.5mm ² VDE rubber cable
Protection Class:	IP68
Environment:	Pool
Mounting Hardware:	Pool wall mounting
Net Weight:	1.5kgs with 1.5m cable
Lifetime:	>50000H

Order information

Item code	Color	Light source(w)	Line Way	Input Voltage (v)	Operating current (mA)	Consumption (w)	Luminous flux (lm)
88168.108.01	2700-3000K	108pcs	V+/V-	DC12-24	1250 / 625	15	1350
88168.108.02	4000-4500K	108pcs	V+/V-	DC12-24	1250 / 625	15	1425
88168.108.04	6000-6500K	108pcs	V+/V-	DC12-24	1250 / 625	15	1500
88168.108.09	RGB-DMX512 (3 channel)	108pcs	V+/V-/D+/D-/GND	DC12-24	R: 417 / 208 B: 417 / 208 G: 417 / 208	R: 5 B: 5 G: 5	R: 125 B: 150 G: 300
88168.108.10	Auto changing color	108pcs	V+/V-	AC12	R: 417 B: 417 G: 417	R: 5 B: 5 G: 5	R: 125 B: 150 G: 300
88168.108.11	RF remote control	108pcs	V+/V-	DC12-24	R: 417 / 208 B: 417 / 208 G: 417 / 208	R: 5 B: 5 G: 5	R: 125 B: 150 G: 300
88168.108.12	RGBV+ (build-in CC driver)	108pcs	R/G/B/V+	DC12-24	R: 417 / 208 B: 417 / 208 G: 417 / 208	R: 5 B: 5 G: 5	R: 125 B: 150 G: 300





Specification

Model No.:	RS-PAR56-12X-S(88166)
Front cover & Housing:	ABS+PC
Dimensions:	D230*H45mm
Tempered Glass:	PC cover
LED chip:	SMD 2835 Epistar
LED Q'ty:	108pcs
Cable gland:	/
Driver:	Constant current driver
Lens:	120° bead PC cover
Beam Angle Options:	120°
Power Cable:	2*1.0mm ² PVC cable / 4*0.75mm ² / 2*1.0+3*0.5mm ² VDE rubber cable
Protection Class:	IP68
Environment:	Pool
Mounting Hardware:	Pool wall mounting
Net Weight:	1.5kgs with 1.5m cable
Lifetime:	>50000H

Order information

Item code	Color	Light source(w)	Line Way	Input Voltage (v)	Operating current (mA)	Consumption (w)	Luminous flux (lm)
88166.108.01	2700-3000K	108pcs	V+/V-	DC12-24	1500 / 750	12	1080
88166.108.02	4000-4500K	108pcs	V+/V-	DC12-24	1500 / 750	12	1140
88166.108.04	6000-6500K	108pcs	V+/V-	DC12-24	1500 / 750	12	1200
88166.108.09	RGB-DMX512 (3 channel)	108pcs	V+/V-/D+/D-/GND	DC12-24	R: 333 / 166 B: 333 / 166 G: 333 / 166	R: 4 B: 4 G: 4	R: 150 B: 180 G: 360
88166.108.10	Auto changing color	108pcs	V+/V-	AC24	R: 166 B: 166 G: 166	R: 4 B: 4 G: 4	R: 100 B: 120 G: 240
88166.108.11	RF remote control	108pcs	V+/V-	DC12-24	R: 333 / 166 B: 333 / 166 G: 333 / 166	R: 4 B: 4 G: 4	R: 100 B: 120 G: 240
88166.108.12	RGBV+ (build-in CC driver)	108pcs	R/G/B/V+	DC12-24	R: 333 / 166 B: 333 / 166 G: 333 / 166	R: 4 B: 4 G: 4	R: 100 B: 120 G: 240

